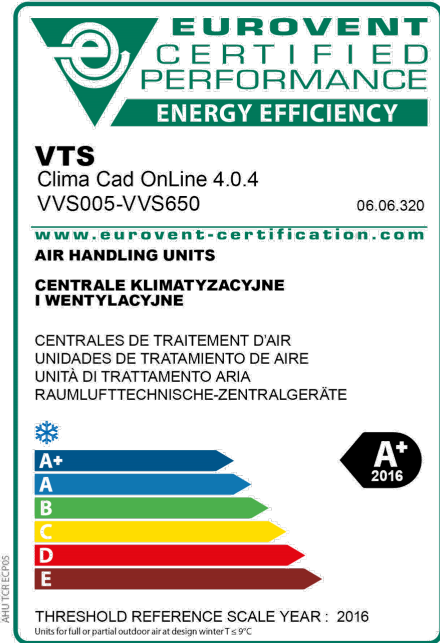
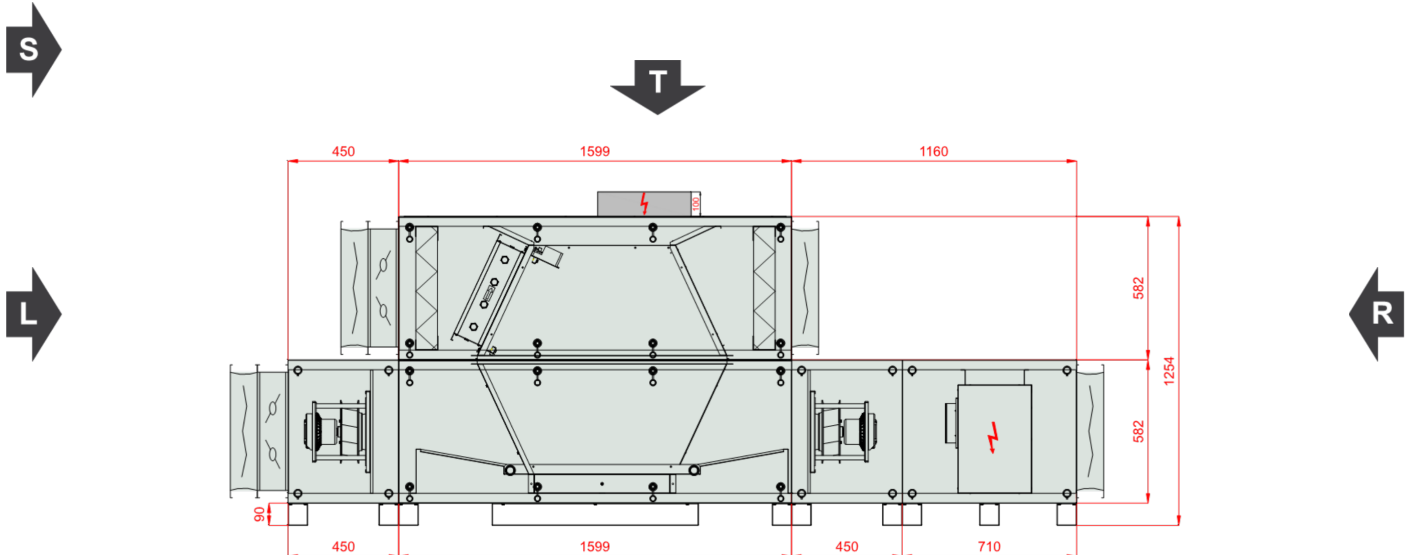


<b>Type</b>	RecoveryHexVerticalCompact
<b>Unit Type:</b>	Indoor
<b>Project Tag</b>	13577161
<b>Size</b>	VVS030c
<b>Set</b>	VVS030c-R-FPVH/VVS030c-L-FPV_cd
<b>Insulation thickness</b>	40 mm
<b>Insulation</b>	Mineral Wool
<b>Weight of the set (+/- 10%)*</b>	434 Kg
<b>Supply airflow 2</b>	3300.00 m³/h
<b>External pressure</b>	300 Pa
<b>Exhaust airflow 2</b>	3300.00 m³/h
<b>External pressure</b>	300 Pa
<b>SFP Winter</b>	2.16 kW/m³/s
<b>SFP Summer</b>	2.23 kW/m³/s
<b>Ecodesign</b>	Yes (2018 +)
<b>Eurovent Energy efficiency class (Winter 2016 / Summer 2020)</b>	A+ 2016



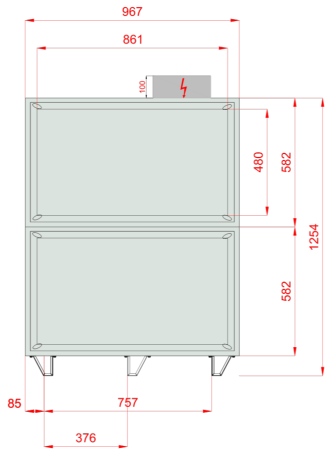
**Inspection Panels**



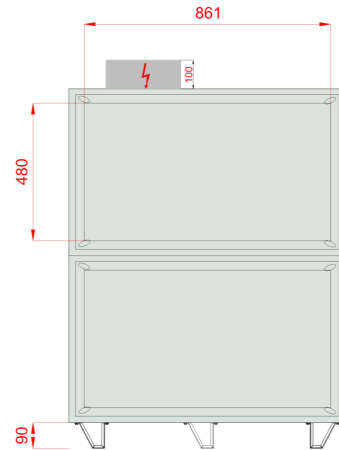
Comment 1:



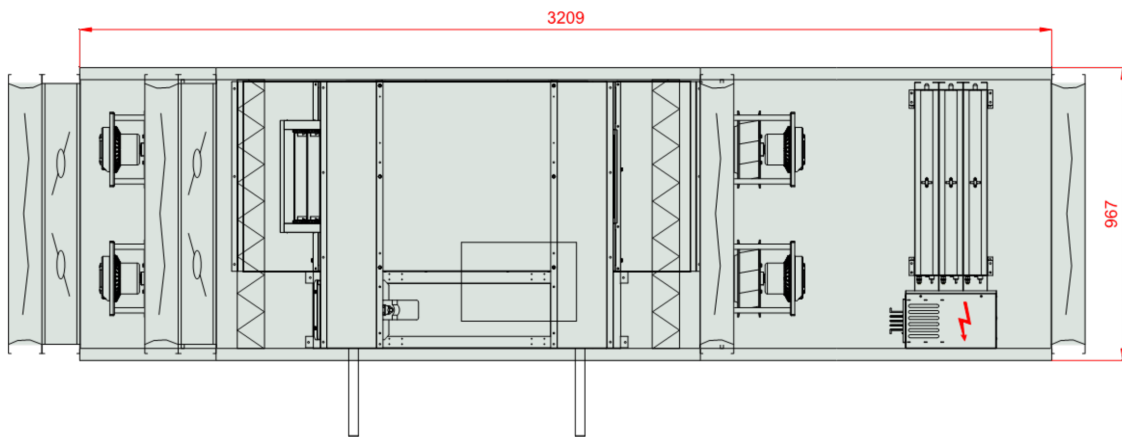
Front View (left)



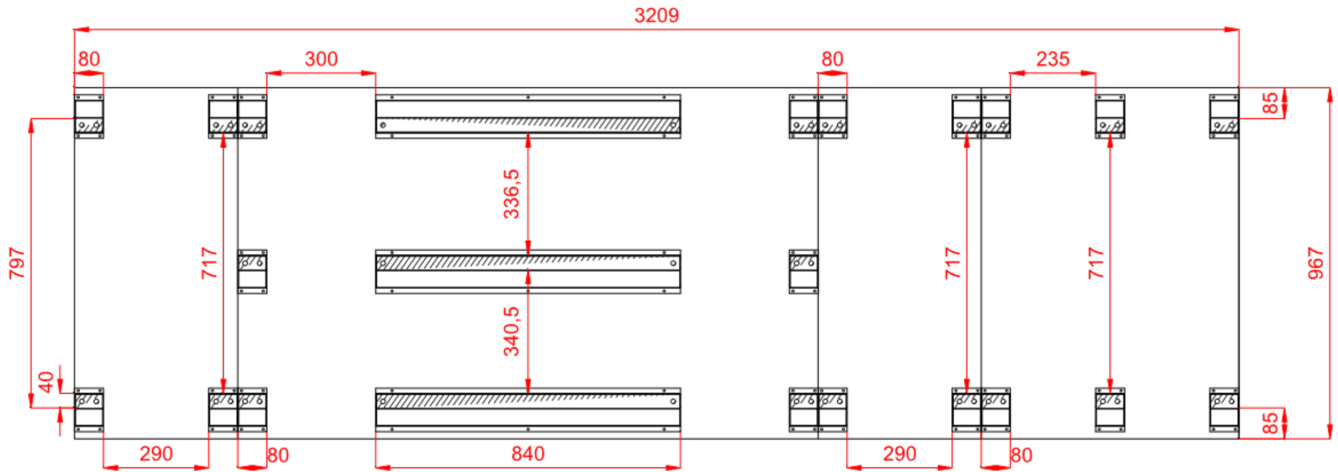
Front View (right)



Top View



**Frame Top View, within the AHU outline contour**



**Sizes [mm]**

<b>Air intake Supply</b> FF	861x480	<b>Lt</b> 3209	<b>Hi</b> 502	<b>Wi</b> 887
<b>Air outlet Supply</b> FF	861x480	<b>LtA</b> 3554	<b>H</b> 672	<b>W</b> 967
		<b>L1</b> 3209	<b>H2</b> 1254	
<b>Air inlet Exhaust</b> FF	861x480	<b>L2</b> 1599	<b>Hf</b> 90	
<b>Air outlet Exhaust</b> FF	861x480	<b>L21</b> 450		
		<b>L22</b> 1160		

**Unit design**

40mm insulated walls , double skin made of steel

Unit Power Supply 400V/3ph/50Hz

Casing anti-corrosion protection: Aluzinc AZ 150. Corrosion resistance (salt spary test): over 2400 hours

In case of delivery with controls a base unit fully wired, with pre-configured controller and EC motors drives

Energy recovery efficiency exceeding 86% (for EC 1253/2014 conditions)

**Temperature Conditions**

Reference atmospheric pressure 101325 Pa

Winter outdoor reference temperature -20.0 °C

	External air			Return air		
	DBT	RH	DA	DBT	RH	DA
Summer	32.0 °C	45 %	1.2000 kg/m³	20.0 °C	65 %	1.2000 kg/m³
Winter	-20.0 °C	100 %	1.2000 kg/m³	20.0 °C	40 %	1.2000 kg/m³

## Supply

### Panel Filter

#### Type F7/50.EU7MPleat.Int.Sld

ePM2,5 65% (ISO16890) - EFF CLASS E Flat Mini-Pleat Filter[27.0]

Filter Energy Performance Class E

#### Winter operation

50% Dirty Air Pressure Drop 120 Pa  
 Initial Air Pressure Drop 89 Pa  
 100% Dirty Air Pressure Drop 150 Pa  
 Air velocity 2.08 m/s

#### Air Filter Sizes

P.FLT (1-2-0301-0214) 2,000 x Pcs

#### Summer operation

50% Dirty Air Pressure Drop 120 Pa  
 Initial Air Pressure Drop 89 Pa  
 100% Dirty Air Pressure Drop 150 Pa  
 Air velocity 2.08 m/s

## Counter-Flow Recuperator (Hexagonal)

#### Type PCR VVS030c Hex

HIPS 2.0 (SR)

#### Winter operation

##### Supply

Intake air DBT / RH -20.0 °C / 100 %  
 Discharge air DBT / RH 15.4 °C / 6 %  
 Air velocity 2.63 m/s  
 Pressure drop Wet / Dry Wet 206 Pa  
 Air Pressure 101325 Pa  
 Air Density 1.2000 kg/m<sup>3</sup>  
 Air Volume Flow 3300.00 m<sup>3</sup>/h  
 Recovery capacity Sensible / Total Total 39.2 kW  
 Actual efficiency / at balanced flow Real / BalancedFlow 88 % / 88 %  
 Dry efficiency in winter 80 %

#### Winter operation

##### Exhaust

Intake air DBT / RH 20.0 °C / 40 %  
 Discharge air DBT / RH -6.4 °C / 97 %  
 Air velocity 2.63 m/s  
 Pressure drop Wet / Dry Wet 238 Pa  
 Air Pressure 101325 Pa  
 Air Density 1.2000 kg/m<sup>3</sup>  
 Air Volume Flow 3300.00 m<sup>3</sup>/h  
 Recovery Bypass Yes  
 Air Damper No

Counter-Flow (Hex)

Max Internal Leakage 0.25%

#### Summer operation

##### Supply

Intake air DBT / RH 32.0 °C / 45 %  
 Discharge air DBT / RH 23.8 °C / 74 %  
 Air velocity 2.63 m/s  
 Pressure drop Wet / Dry Wet 248 Pa  
 Air Pressure 101325 Pa  
 Air Density 1.2000 kg/m<sup>3</sup>  
 Air Volume Flow 3300.00 m<sup>3</sup>/h  
 Recovery capacity Sensible / Total Total -10.7 kW

#### Summer operation

##### Exhaust

Intake air DBT / RH 20.0 °C / 45 %  
 Discharge air DBT / RH 29.9 °C / 36 %  
 Air velocity 2.63 m/s  
 Pressure drop Wet / Dry Wet 238 Pa  
 Air Pressure 101325 Pa  
 Air Density 1.2000 kg/m<sup>3</sup>  
 Air Volume Flow 3300.00 m<sup>3</sup>/h  
 Eco Design Class Eco Design



### Recovery Additional Info

PlateExchangers

### ▶ Plug-Fan Set

#### Fan Section PLUG\_DD\_225\_0,74\_1.33

EC\_IE4\_F\_IMB14\_71\_1.33p\_T                      771.3.570-2                      225|0.74kW|1.33x2

Qty in section                      x 2

Fan Set Designed for wet operating conditions  
 The fan system effects is taken into account in the fan performances.

#### Fan PLUG\_VS\_225\_AF\_Px 2

Total Static Pressure	719 Pa	Impeller efficiency: Static / Total	70 %/76 %
Dynamic pressure	63 Pa	Shaft power	0.47 kW x 2
External pressure	300 Pa	Working revolutions	4037 1/min
Total Pressure	782 Pa		
<b>Winter operation</b>		<b>Summer operation</b>	
Air Volume Flow	3300.00 m³/h	Air Volume Flow	3300.00 m³/h

#### Motor EC\_IE4\_F\_71\_IMB14\_1.33p\_0.74\_50x 2

771.3.570-2                      EC                      50Hz

Rated revolutions                      4500 1/min

Operational Voltage                      230 V/1 ph                      Rated Power                      0.74 kW x 2

Name plate RPM                      230 V/1 ph/50 Hz

### EC Motor Controller

EC Controller Settings                      45 Hz

<b>Winter operation</b>		<b>Summer operation</b>	
EPC for mean contaminated filters	1.09 kW	EPC for mean contaminated filters	1.15 kW
EPC for clean filters	1.05 kW	EPC for clean filters	1.11 kW
SFP for clean filters	1.14 kW/m³/s	SFP for clean filters	1.21 kW/m³/s

### Fan Section Power Supply Additional Info

C20/3

### ⊕ Electric heater in casing

#### Type VVS030c-2,00kW-400/3/50-RES                      Version N3\_400\_3\_50\_FullControls\_RES\_YES

Rated Electric Power	6.00 kW		
Intake air DBT / RH	15.4 °C / 6 %	Discharge air DBT / RH	20.0 °C / 4 %
Air velocity	4.82 m/s	Pressure drop Wet / Dry Wet	93 Pa
Air Volume Flow	3300.00 m³/h		
Heating capacity	5.1 kW		



### Acoustic data

Acoustic power level [dB(A)]	Frequency	125 [Hz]	250 [Hz]	500 [Hz]	1000 [Hz]	2000 [Hz]	4000 [Hz]	8000 [Hz]	Lw [dB(A)]
Inlet	[dB(A)]	56.8	63.0	60.8	55.7	52.3	55.8	52.9	66.8
Outlet	[dB(A)]	54.1	67.5	73.4	72.8	71.2	64.8	59.2	78.1
Environment	[dB(A)]	40.0	51.4	49.3	43.6	36.0	28.4	14.8	54.2

Acoustic pressure level at 1 meter distance [dB(A)]	Frequency	125 [Hz]	250 [Hz]	500 [Hz]	1000 [Hz]	2000 [Hz]	4000 [Hz]	8000 [Hz]	Lp [dB(A)]
	[dB(A)]	33.0	44.4	42.3	36.6	29.0	21.4	7.8	47.2

### Exhaust airflow 3

#### Panel Filter

Type M5/50.EU5MPleat.Int.Sld

ePM10 40% - ISO 16890 - EFF CLASS E Flat Mini-Pleat Filter[26.0]

Filter Energy Performance Class E

#### Winter operation

50% Dirty Air Pressure Drop 108 Pa  
 Initial Air Pressure Drop 67 Pa  
 100% Dirty Air Pressure Drop 150 Pa  
 Air velocity 2.08 m/s

#### Summer operation

50% Dirty Air Pressure Drop 108 Pa  
 Initial Air Pressure Drop 67 Pa  
 100% Dirty Air Pressure Drop 150 Pa  
 Air velocity 2.08 m/s

#### Air Filter Sizes

P.FLT (1-2-0301-0202) 2,000 x Pcs

#### Plug-Fan Set

Fan Section PLUG\_DD\_225\_0,74\_1.33

EC\_IE4\_F\_IMB14\_71\_1.33p\_T 771.3.570-2 225|0.74kW|1.33x2

Qty in section x 2

Fan Set Designed for wet operating conditions

The fan system effects is taken into account in the fan performances.

Fan PLUG\_VS\_225\_AF\_Px 2

Total Static Pressure	647 Pa	Impeller efficiency: Static / Total	69 %/76 %
Dynamic pressure	63 Pa	Shaft power	0.43 kW x 2
External pressure	300 Pa	Working revolutions	3943 1/min
Total Pressure	710 Pa		

<b>Winter operation</b>		<b>Summer operation</b>	
Air Volume Flow	3300.00 m³/h	Air Volume Flow	3300.00 m³/h

Motor EC\_IE4\_F\_71\_IMB14\_1.33p\_0.74\_50x 2

771.3.570-2 EC 50Hz





Operational Voltage	230 V/1 ph	Rated revolutions	4500 1/min
Name plate RPM	230 V/1 ph/50 Hz	Rated Power	0.74 kW x 2

**EC Motor Controller**

EC Controller Settings	44 Hz
------------------------	-------

**Winter operation**

EPC for mean contaminated filters	0.99 kW
EPC for clean filters	0.94 kW
SFP for clean filters	1.02 kW/m³/s

**Summer operation**

EPC for mean contaminated filters	0.99 kW
EPC for clean filters	0.94 kW
SFP for clean filters	1.02 kW/m³/s

**Fan Section Power Supply Additional Info**

C20/3

**Acoustic data**

Acoustic power level [dB(A)]	Frequency	125 [Hz]	250 [Hz]	500 [Hz]	1000 [Hz]	2000 [Hz]	4000 [Hz]	8000 [Hz]	Lw [dB(A)]
Inlet	[dB(A)]	51.8	65.2	71.1	71.4	69.8	64.3	58.7	76.4
Outlet	[dB(A)]	54.5	67.9	73.8	74.1	72.5	67.9	62.3	79.1
Environment	[dB(A)]	39.5	50.9	48.8	43.1	35.5	27.9	14.3	53.7

Acoustic pressure level at 1 meter distance [dB(A)]	Frequency	125 [Hz]	250 [Hz]	500 [Hz]	1000 [Hz]	2000 [Hz]	4000 [Hz]	8000 [Hz]	Lp [dB(A)]
	[dB(A)]	32.5	43.9	41.8	36.1	28.5	20.9	7.3	46.7

**AHU Discharge and Intake Opening Sizes & Unit Accessories**

**Supply**

**Exhaust**

Controls Selection Mode: Functional set

AHU Discharge and Intake Opening Sizes	Supply	Exhaust
Air Inlet	Front 861x480	Front 861x480
Air Outlet	Front 861x480	Front 861x480
AirDamper	Supply	Exhaust
Air Inlet	Provided	Not Provided
Air Outlet	Not Provided	Provided
Flexible Connection	Supply	Exhaust
Air Inlet	Provided	Provided
Air Outlet	Provided	Provided

**Control application**

Functional Code	AP 3 0 0 0 0 0 0 6 3 0 0 0 0 0 1
APP Code	uPC3 (AP-162)
Main Temp. Sensor	Duct Exhaust

Human Machine Interface	Options	
BMS	Yes	Differential Pressure Transducer
HMI Advanced (Settings)	Yes	CAV



HMI Basic (User) Yes  
 Control Box Yes

#### Air damper actuators

Name	Code	Set
Air Damper Actuator ON-OFF 10Nm	ADMP.ACT.SET ON-OFF 10Nm	2
Air Damper Actuator 0-10 2Nm	ADMP.ACT.SET 0-10 2Nm	1

#### Temperature sensor

Name	Code	Set
Resp_Controls_TempSensors_Temp. Sensor NTC10k (Outdoor)	Temp. Sensor NTC10k (Outdoor)	3
Duct temperature sensor NTC 10k	Temp. Sensor NTC10k (Duct)	1

#### Transducers and Switches

Name	Code	Set
Differential Pressure Transducer CAV	PRSS.TRDC_CAV	1

#### AHU Connection Box

##### AHU Connection Box

Rated Power	2.96 kW	Full Load Amps	19.0 A
Power Connection	3x400V AC +N+PE	Power Cord	5 x 2,50 mm <sup>2</sup>

#### TDS\_AHUPowerConnection\_ElectricHeaters

1 LP

##### TDS\_AHUPowerConnection\_Heaters

Rated Power	6.00 kW
Power Connection	400V+PE
Full Load Amps	8.7 A
TDS_AHUPowerConnection_MCA	10.9 A
TDS_AHUPowerConnection_CircuitBreaker	16.0 A
Power Cord	4 x 2,50 mm <sup>2</sup>

##### TDS\_AHUPowerConnection\_Controls

Rated Power	6.00 kW
Power Connection	230V+N+PE
Full Load Amps	0.2 A
Power Cord	3 x 0,75 mm <sup>2</sup>

#### DECLARATION OF PERFORMANCE - Product information - (EU) 1253/2014 annex V as referred to in art. 4(2)

No.	Parameter	Unit	Value
1	Manufacturer's name		VTS sp. z o.o.
2	Manufacturer's product code		VVS030c-F-P-V-H
3	Declared type		NRVU, BVU
4	Type of drive installed		VFD(AC) or Controller(EC)
5	Type of energy recovery		Other
6	Thermal efficiency of heat recovery	%	80.00
7	Nominal NRVU flow rate		0.92 / 0.92
8	Effective electric power input	kW	1.09 / 0.99
9	Internal Specific Fan Power (SFPint)	w/m <sup>3</sup> /s	487.02 / 509.62
10	Face velocity	m/s	2.08
11	Nominal external pressure	Pa	300.00 / 300.00
12	Internal Pressure Drop of ventilation components $\Delta p_{s,int}$	Pa	294.68 / 305.05
13	Internal pressure drop of non-ventilation components $\Delta p_{s,add}$	Pa	124.08 / 42.27





14	Maximum Leakage Rate	%	0.01 / 0.01
15	Energy performance of filters (declared information about the calculated annual energy consumption)		EU7MPleat / F7 / - / EU5MPleat / M5 / -
16	Description of visual filter warning for NRVUs		Supported by control application
17	Casing sound power level LWA	dBA	54
18	Internet address for disassembly instructions		http://www.vtsgroup.com
19	Ecodesign Compliance		Yes (2018 +)

### Section splits

Transport Sections	Mass [Kg]	LENGTH [mm]	WIDTH [mm]	HEIGHT [mm]
1	68	450	967	672
2	230	1599	967	1254
3	55	450	967	672
4	52	710	967	672

Transport Sections Dims

